

MILCA 494502M

PENDANTS

PROJECT



DESCRIPTION

Single lamp pendant with steel cylindrical shade embellished by stacked tubular slices. Primary color configurations include black, gray, brushed nickel or gold with a matching interior. Suspended by a black Teflon cable



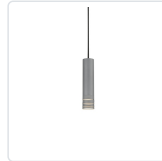
494502M-BK
Black



494502M-BN
Brushed Nickel



494502M-GD
Gold

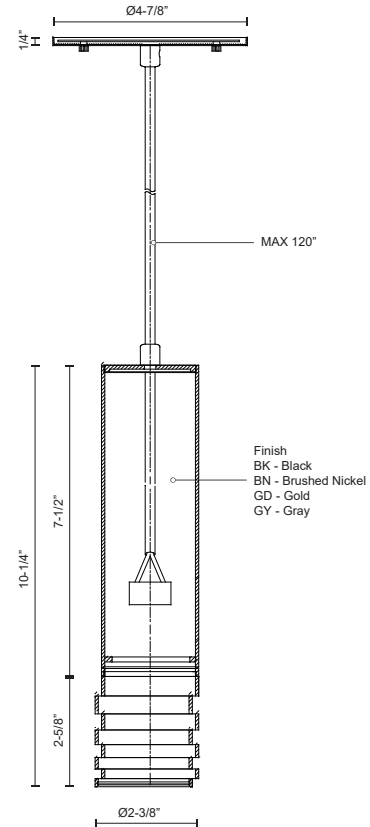


494502M-GY
Gray

SPECIFICATION DETAILS

* For custom options, consult factory for details.

Fixture Dimensions	D2-3/8" x H10-1/4"
Lamp Type	Incandescent, GU10
Bulbs Included	No
Wattage	1 x 50W
Voltage	120V
Adjustable	Yes
Wire Length	120" Max
Wire Type	Black SVT Cord
Location	Dry
Warranty	5 Years
Canopy Dimensions	D4-7/8" x H1/4"



KUZCO

19054 28TH AVENUE
SURREY - BC V3Z 6M3
CANADA

WWW.KUZCOLIGHTING.COM

COMMENT

